



Operating instructions and security regulations for putting into operation and maintenance of the non-return valve DTEF

Please read carefully!

Security note

Only qualified skilled workers are permitted to install the armature. This should be staff that is well acquainted with setting up, fitting, putting into operation, operating and maintain the equipment. The staff must have a qualification at their disposal which corresponds with their function and occupation, such as:

- Instruction and commitment for the observance of all regional and internal regulations and commitments regarding operation.
- Education in accordance with the standards of security engineering, in application and maintenance of adequate equipments of security and labour protection.
- Training in first aid etc.

Proper maintenance

Inset in pipes for prevention of return flow of the media within the permissible limits of pressure and temperature, observing the chemical and corrosive influences on the valve.

The media-resistance of the valve must be tested for operating conditions.

The valve has not been designed for vacuum application.



Danger notes

During operation the valve is under pressure!

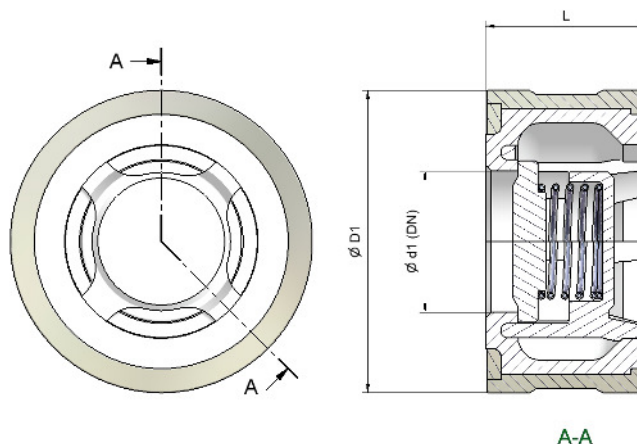
If flange connections or screw plugs are loosened, hot water, steam, corroding liquids or toxic gases will escape. Serious scalds and burns on the whole body are possible! Serious contaminations are possible!

- Work for assembly or maintenance to be done in pressure less condition only.
- During operation, the valve will be hot or extremely cold.
- Work for assembly or maintenance to be done at room temperature only.
- Sharp-edged interior parts can cause cuts on hands.
Wearing gloves for exchanging the valve is necessary!
- Further measurements, materials and fields of application can be found in the correspondent Data Sheets.



CE 1250

Installation



Non return valve Type DTEF for installation between flanges according to the correspondent drawings.

- Installation between flanges according to DIN EN 1092-1, PN10 and ANSI150. The centre ring between the flanges is executed at the body outside diameter by means of the flange connection screws. The centering $\varnothing D$ is for the nominal pressure classification Installation between flanges of other norms on inquiry. The installation length corresponds, to DIN EN 558 basic row 52. For special applications corresponding regulations have to be noted e.g. AD-leaflets (working group for pressure devices) or TRD-directives (technical rules for steam boilers).
- The assembly must be carried out according to the recognized rules of technology.
- Appropriate gaskets have to be mounted additionally.

Note direction of flow (direction of arrow on valve body)!

- The fitting position is horizontal. In vertical position direction of flow is only possible from bottom to top.
- For oscillatory systems (e.g. compressors, diaphragm pumps etc.) please pay attention that the standard execution corresponds with the operation.
- Non return valves mustn't be built apart.
- Using only original spare parts.
- Functional test.



Product classification according to article 9 of directive of pressure devices (DGRL)

Group 1 (Dangerous fluids)

Appendix II (Diagram 6)

Category with pressure PN10	Exception according to article 3.3	I	II
Nominal size DN	15-25	32-100	125-150
CE marking	no	CE1250	CE1250
Type	all	all	all

Technical data non-return valves DTEF/ (PS06/ PS10) (application limits)

Material: PTFE+25% glass

DTEF-7575					DTEF-7575				
DN 15-100					DN 125-150				
t (°C)	-20	20	120	160	t (°C)	-20	20	120	160
Ps (bar)		10	4	1	Ps (bar)		6	3	1

Material: Modified PTFE (FDA, white)

DTEF-8080					DTEF-8080				
DN 15-100					DN 125-150				
t (°C)	-20	20	120	160	t (°C)	-20	20	120	160
Ps (bar)		10	4	1	Ps (bar)		6	3	1

Material: Modified PTFE conductive (black)

DTEF-8787					DTEF-8787				
DN 15-100					DN 125-150				
t (°C)	-20	20	120	160	t (°C)	-20	20	120	160
Ps (bar)		10	4	1	Ps (bar)		6	3	1

For further technical information please consult the correspondent datasheets.